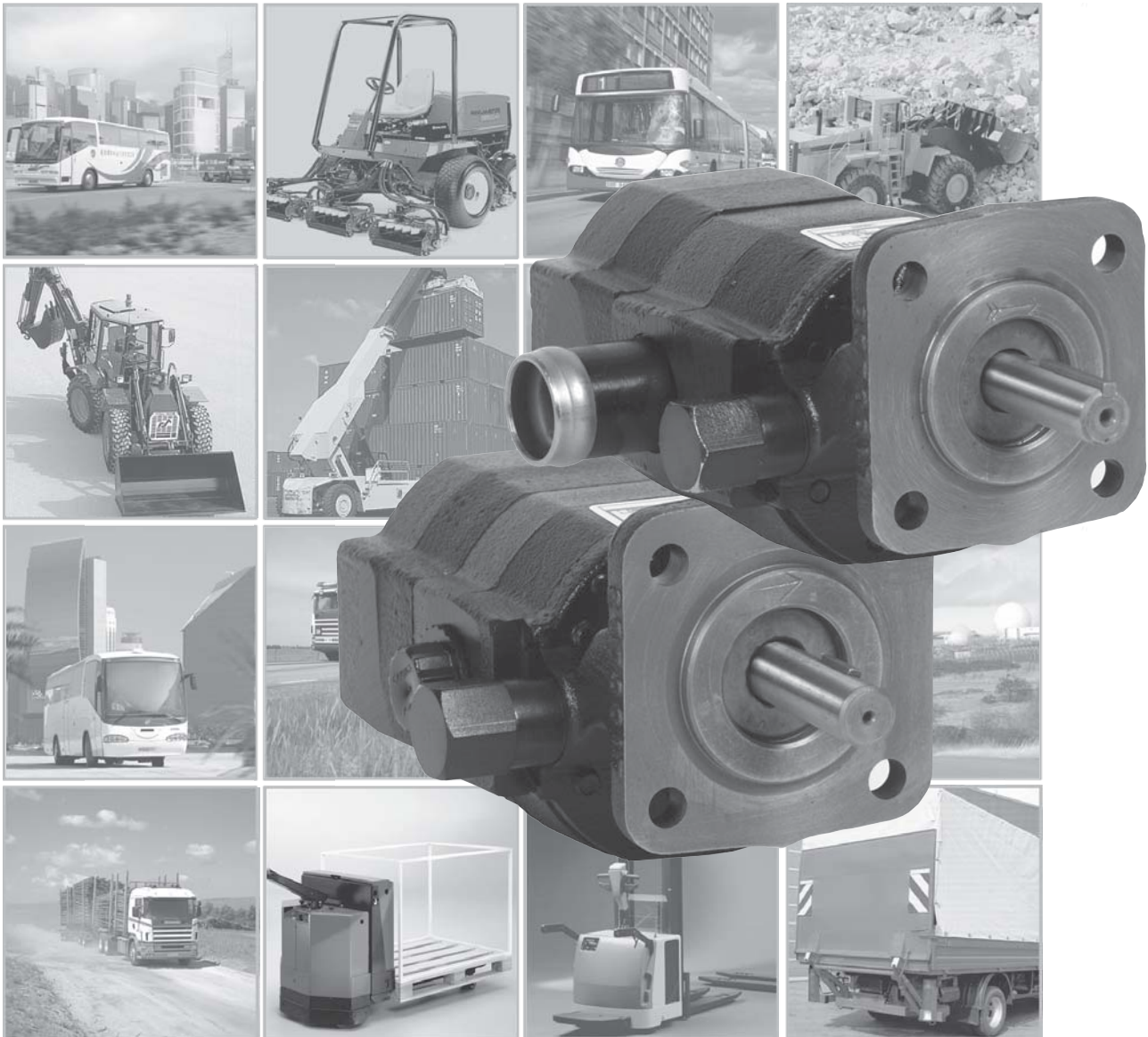
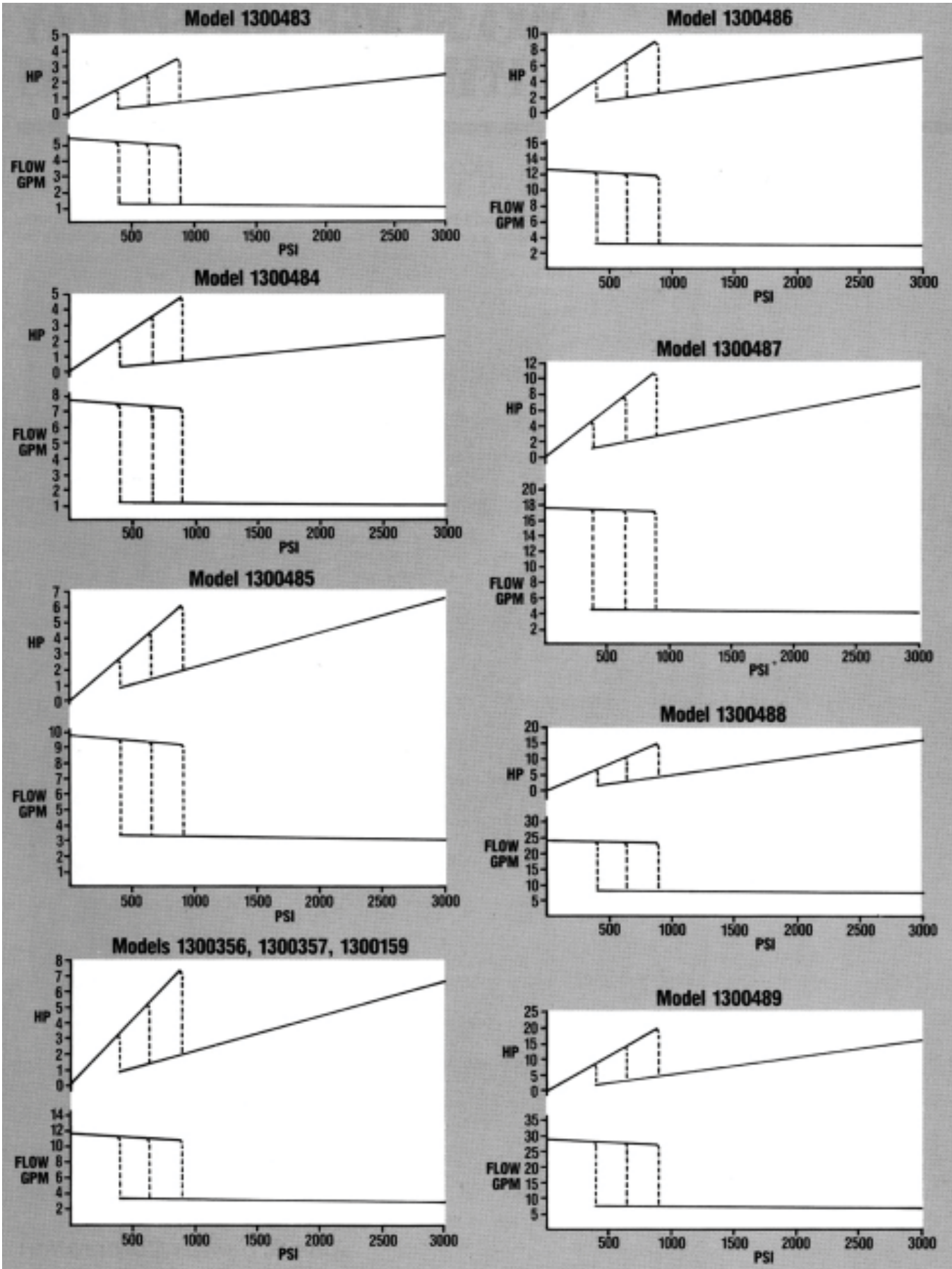


## TWO STAGE HIGH/LOW HYDRAULIC PUMPS



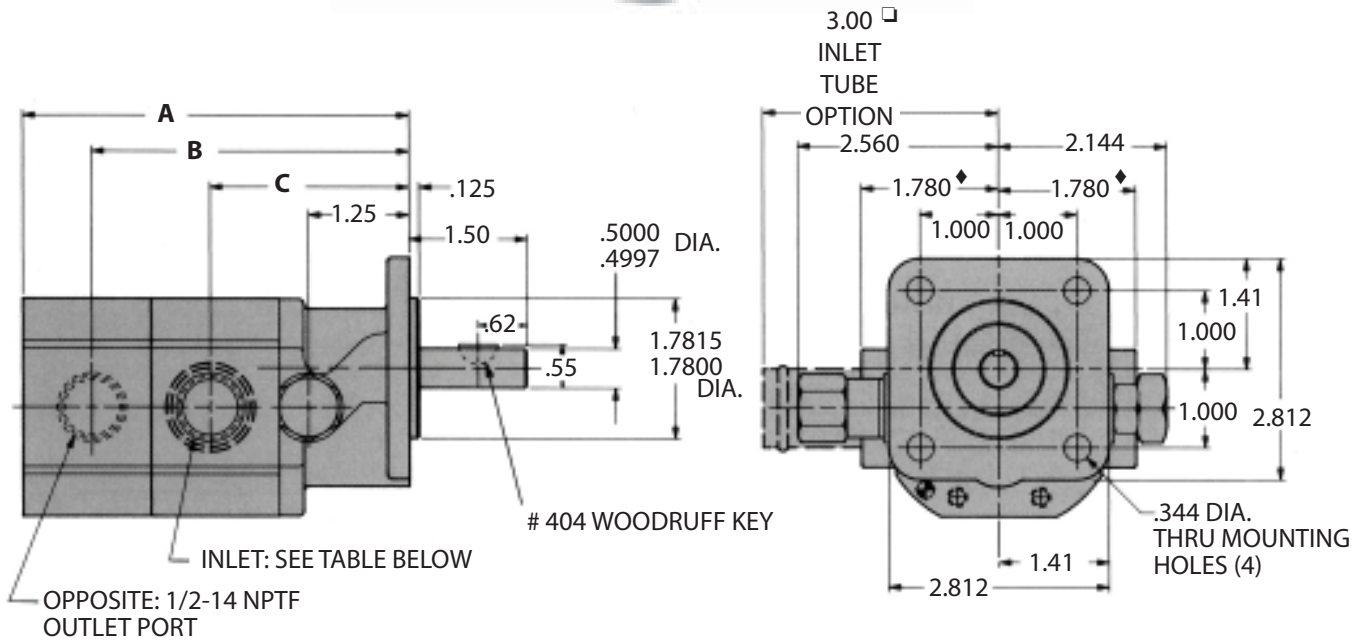
# PERFORMANCE CURVES

at 3600 RPM, with 300SSU Oil



# DIMENSIONAL DRAWINGS

## GC Series



## GC Series

P/N	Nominal Flow GPM *	✓ Rotation	Shaft		Mount Type	Ports **		Dimensions (inches)		
			Dia.	Ext.		Inlet	Outlet	A	B	C
1300483	5	CW	1/2	1.5"	4-bolt	◆ 1/2" NPTF	1/2" NPTF	4.91	4.03	2.53
1300484	7	CW	1/2	1.5"	4-bolt	◆ 1/2" NPTF	1/2" NPTF	4.91	4.03	2.53
1300485	9	CW	1/2	1.5"	4-bolt	◆ 1/2" NPTF	1/2" NPTF	4.91	4.03	2.53
1300356	11	CW	1/2	1.5"	4-bolt	◆ 1/2" NPTF	1/2" NPTF	4.91	4.03	2.53
1300357	11	✚ CCW	1/2	1.5"	4-bolt	◆ 1/2" NPTF	1/2" NPTF	4.91	4.03	2.53
1300159	11	CW	1/2	1.5"	4-bolt	✖ 1" tube	1/2" NPTF	4.91	4.03	2.53
1300486 ■	13	CW	1/2	1.5"	4-bolt	✖ 1" tube	1/2" NPTF	5.47	4.59	3.09
1300487 ■	16	CW	1/2	1.5"	4-bolt	✖ 1" tube	1/2" NPTF	5.47	4.59	3.09

\* At 3600 RPM.

\*\* SAE ports available, consult factory.

✚ Ports and valves on opposite side of casting.

✓ As viewed from the shaft end.

■ These two pumps have square keys, 1/8" x 1", instead of #404 Woodruff Key.

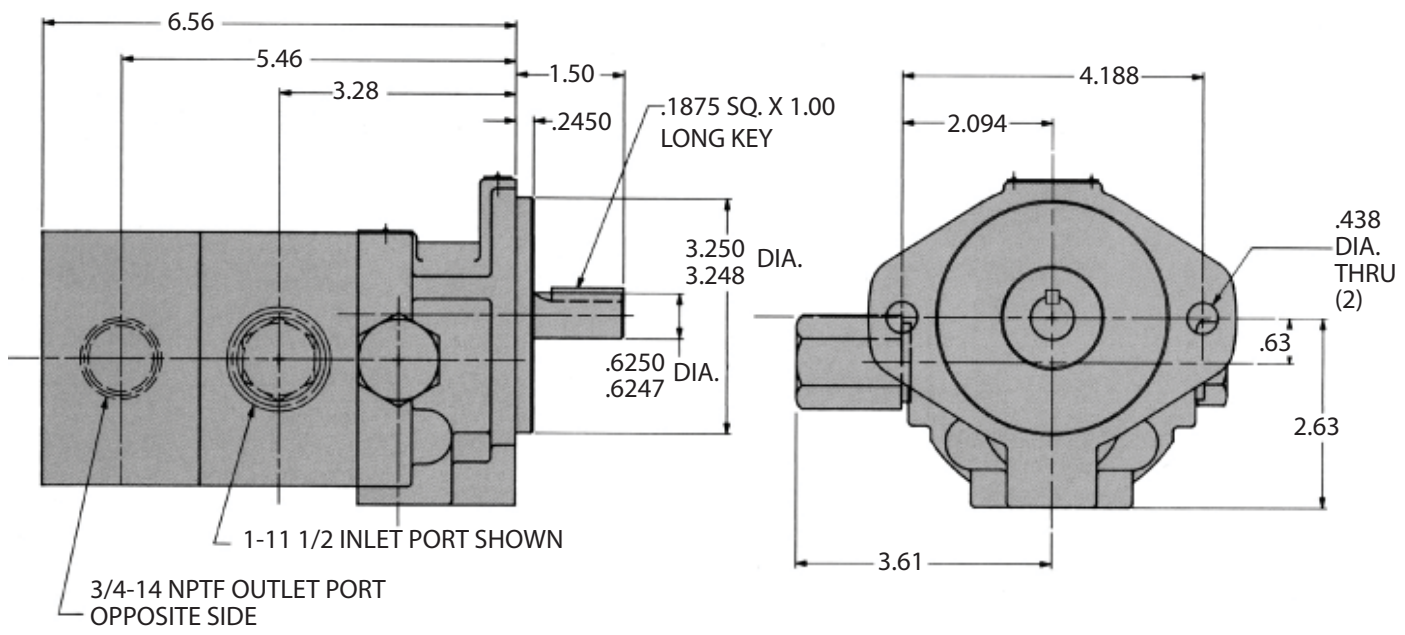
✖ Indicates a 1" inlet tube is used.

◆ Indicates 1/2" NPTF port.

Pictures on front cover are used with the kind permission of eg: Atlet, BT, Huddig, Scania, Toro and Volvo Construction Equipment.

# DIMENSIONAL DRAWINGS

## D Series

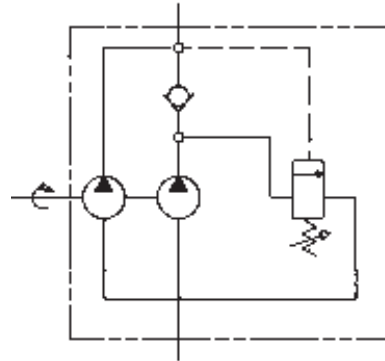


## D Series

P/N	Nominal Flow GPM *	✓ Rotation	Shaft		Mount Type	Ports**	
			Dia.	Ext.		Inlet	Outlet
1300488	22	CW	5/8	1.5"	SAE A	1" NPTF	3/4" NPTF
1300489	28	CW	5/8	1.5"	SAE A	1" NPTF	3/4" NPTF

\* At 3600 RPM.  
 \*\* SAE ports available, consult factory.  
 ✓ As viewed from the shaft end.

# TWO STAGE HIGH/LOW HYDRAULIC GEAR PUMPS



Hydraulic Schematic

## Pump Selection Guide

P/N	Nominal Flow GPM *	High Pressure Gear Displ. in. <sup>3</sup>	Low Pressure Gear Displ. in. <sup>3</sup>
1300483	5	.065	.258
1300484	7	.065	.388
1300485	9	.194	.388
1300356	11	.194	.517
1300357	11	.194	.517
1300159	11	.194	.517
1300486	13	.194	.647
1300487	16	.258	.776
1300488	22	.465	.930
1300489	28	.465	1.395

\* At 3600 RPM.  
All pumps factory preset at 650 PSI; for settings outside range, contact factory.

NOTE: All pumps above are 3000 PSI max. working pressure, 400-900 PSI unload adjustable range, and 500-4000 RPM range.

For more information, application assistance or detailed literature on any Concentric product line, call us toll free **1-800-572-7867**, visit our website at [www.concentricAB.com](http://www.concentricAB.com) or e-mail us at [info.hydraulics.us@concentricAB.com](mailto:info.hydraulics.us@concentricAB.com) or [info.hydraulics.eu@concentricAB.com](mailto:info.hydraulics.eu@concentricAB.com)

# PUMPS & MOTORS

## Cast Iron Pumps Heavy Duty



### GC Series Pumps

**Displacements**  
0.065 to 0.711 cu. In. (1.06 to 11.65 cc)

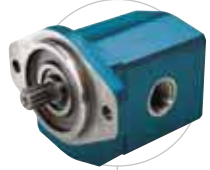
### GC Series High/Low Pumps

**High Pressure Displacements**  
0.065 to 0.258 cu. In. (1.06 to 4.22 cc)

**Low Pressure Displacements**  
0.258 to 0.776 cu. In. (4.22 to 12.71 cc)

**Maximum Pressure**  
4,000 psi (276 bar)

**Maximum Speed**  
4,000 rpm



### F12 & F15 Ferra Series Pumps

**F12 Displacements**  
0.976 to 2.502 cu. In. (16 – 41 cc)

**F15 Displacements**  
1.159 to 3.051 cu. In. (19 to 50 cc)

**Maximum Pressure**  
4,000 psi (276 bar)

**Maximum Speed**  
3,600 rpm



### F20/F30 Pumps & F20-LS/F30-LS Load Sense Ferra Series Pumps

**Displacements**  
1.41 to 9.82 cu. In. (23 to 161 cc)

**Maximum Pressure**  
4,000 psi (276 bar)

**Maximum Speed**  
3,600 rpm



### D Series Pumps

**Displacements**  
0.232 to 1.395 cu. In. (3.80 to 22.85 cc)

### D Series High/Low Pumps

**High Pressure Displacements**  
0.465 cu. In. (7.62 cc)

**Low Pressure Displacements**  
0.930 to 1.395 cu. In. (15.24 to 22.86 cc)

**Maximum Pressure**  
3,000 – 4,000 psi (207 – 276 bar)

**Maximum Speed**  
3,600 – 4,000 rpm

## Aluminum Pumps Medium/Light Duty



### W-Series Pumps

**W100 Displacements**  
0.031 to 0.122 cu. In. (0.50 to 2.00 cc)

**W300 Displacements**  
0.049 to 0.347 cu. In. (0.80 to 5.70 cc)

**W600 Displacements**  
0.244 to 0.732 cu. In. (4 to 12 cc)

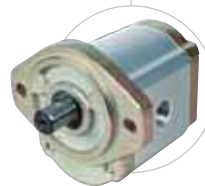
**W900 Displacements**  
0.305 to 1.891 cu. In. (5 to 31 cc)

**W1200 Displacements**  
1.526 to 2.014 cu. In. (25 to 33 cc)

**W1500 Displacements**  
1.159 to 3.051 cu. In. (19 to 50 cc)

**Maximum Pressure**  
4,000 psi (276 bar)

**Maximum Speed**  
500 to 4,000 rpm



### WK900 CALMA Pumps

**Displacements**  
0.305 to 1.648 cu. In. (5 to 27 cc)

**Maximum Pressure**  
3,336 psi (230 bar)

**Maximum Speed**  
4,000 rpm

## Fluid Motors



### Cast Iron

**Displacements**  
0.065 to 9.82 cu. In. (1.06 to 161 cc)

**Speed**  
Up to 10,000 rpm

### Aluminum

**Displacements**  
0.244 to 3.050 cu. In. (4 to 50 cc)

**Speed**  
Up to 4,000 rpm

## Flow Dividers



### GC & D Series

**GC Displacements**  
0.097 to 0.517 cu. In. (1.58 to 8.47 cc)

**D Displacements**  
0.232 to 0.813 cu. in. (3.8 to 13.32 cc)

**Maximum Pressure**  
4,500 psi (310 bar)

**Maximum Input Flow Per Section**  
14 gpm (53 lpm)



**Call us for more information**  
For application assistance or detailed literature on any Concentric product line, call us toll-free: 1-800-572-7867.  
Visit our web site: [www.concentricAB.com](http://www.concentricAB.com)  
E-mail us: [info.hydraulics.us@concentricAB.com](mailto:info.hydraulics.us@concentricAB.com)

Only Concentric offers this extensive range of products worldwide.

## POWER PACKS



### PUMP/MOTORS (DC/AC)

**DC Voltage Range**

12 to 72 VDC

**AC Horsepower Range**

1/2 to 3 HP

**Pump Displacements**

0.04 – 1.71 cu. In. (0.65 to 28 cc)

**Maximum Pressure**

4,000 psi (276 bar)



### HB800 POWER PACKS

**Voltage Range**

12 to 24 VDC

**Pump Displacements**

0.037 to 0.092 cu. In. (0.60 to 1.5 cc)

**Reservoirs**

0.13 to 1 gal. (.5 to 3.8 ltr.) plastic

**Maximum Pressure**

2,610 psi (180 bar)



### HE1000 SERIES POWER PACKS

**Voltage Range**

12 to 24 VDC

**Pump Displacements**

0.015 to 0.122 cu. In. (0.24 to 2 cc)

**Maximum Pressure**

3,336 psi (230 bar)

**Reservoirs**

0.13 to 1.0 gal. (0.5 to 3.8 ltr.) plastic



### HE2000 SERIES POWER PACKS

**Voltage Range**

12 to 24 VDC, 115 to 230 VAC

**Pump Displacements**

0.049 to 0.388 cu. In. (0.80 to 6.36 cc)

**Maximum Pressure**

3,336 psi (230 bar)

**Reservoirs**

0.95 qt. to 3.96 gal. (0.9 to 15 ltr.) steel,  
0.8 to 1.7 qt. (0.76 to 1.6 ltr.) plastic



### HE "BOX" POWER PACKS

**Voltage Range**

12 to 24 VDC

**Pump Displacements**

0.049 to 0.388 cu. In. (0.80 to 6.36 cc)

**Maximum Pressure**

3,336 psi (230 bar)

**Reservoirs**

3 qt. to 5.0 gal. (2.84 to 19 ltr.) steel

### HE-Q (QUIET) POWER PACKS

**Voltage Range**

24 VDC

**WQ300 Pump Displacements**

0.073 to 0.347 cu. In. (1.2 to 5.7 cc)

**Noise**

42dB(A)



### BIROTATIONAL POWER PACKS

**Voltage Range**

12 to 24 VDC, 115 to 230 VAC

**Pump Displacements**

0.049 to 0.129 cu. In. (0.80 to 2.11 cc)

**Reservoirs**

2 to 2.96 qt. (1.9 to 2.8 ltr.) plastic,  
1 to 2 gal. (3.8 to 7.6 ltr.) steel



### AC POWER PACKS GC-9500 SERIES

**Displacements**

0.065 to 1.394 cu. In. (1.06 to 22.85 cc)

**Maximum Pressure**

3,000 psi (207 bar)

**Maximum Speed**

3,600 rpm

**Reservoirs**

5 to 20 gal. (19 to 76 ltr.) steel



**Call us for more information**

For application assistance or detailed literature on any Concentric product line, call us toll-free: 1-800-572-7867.

Visit our web site: [www.concentricAB.com](http://www.concentricAB.com)

E-mail us: [info.hydraulics.us@concentricAB.com](mailto:info.hydraulics.us@concentricAB.com)

**PRODUCT RANGE**
**HE Powerpacks**

12/24/48 VDC 0.3 – 4.5 kW and  
0.75 – 3 kW AC modular power packs

**HE Box Powerpacks**

12/24/48 VDC modular powerpacks  
in weatherproof boxes

**Pressure Switches**

5 - 350 bar, connecting/disconnecting

**W100 Hydraulic pumps**

0,5 - 2,0 cc 227 bar

**W300 Hydraulic pumps**

0,8 - 5,7 cc 230 bar

**W600 Hydraulic pumps / motors**

3 - 12 cc 276 bar

**W900 Hydraulic pumps / motors**

5 - 31 cc/section 276 bar

**Calma The new quiet pumps**

6,2 - 23,7 cc/section 250 bar

**WQ900 The quiet pumps**

5 - 23 cc/section 230 bar

**WP900X Hydraulic pumps**

16 - 31 cc/section 276 bar

**W1500 Hydraulic pumps / motors**

19 - 50 cc/section 276 bar

**F12 FERRA Heavy duty pumps**

16 - 41 cc/section 276 bar

**F15 FERRA Heavy duty pumps**

19 - 50 cc/section 276 bar

**F20/F30 (LS) Hydraulic pumps / motors**

23 - 161 cc/section 276 bar

**GPA Internal Gear pumps**

1,7 - 63 cc/section 100 bar

**GC Hydraulic pumps / motors**

1,06 - 11,65 cc/section 276 bar

**D Hydraulic pumps**

3,8 - 22,9 cc/section 207 bar

**H Hydraulic pumps**

9,8 - 39,4 cc/section 207 bar

**II-Stage Hydraulic pumps**

4,2 - 22,8 cc/section 276 bar

**Rotary Flow Dividers**

3,8 - 13,3 cc/section 300 bar

**Transmission pumps**

[www.concentricAB.com](http://www.concentricAB.com)


**Concentric Rockford Corp.**

2222 15th Street  
ROCKFORD, IL 61104  
USA

Tel: +1-815 398 4400

Fax: +1-815 398 5977

E-mail: [info.hydraulics.us@concentricAB.com](mailto:info.hydraulics.us@concentricAB.com)

**Concentric Hof GmbH**

Postfach 1507  
D-95014 HOF  
Germany

Tel: +49-9281 895-0

Fax: +49-9281 87133

E-mail: [info.hydraulics.eu@concentricAB.com](mailto:info.hydraulics.eu@concentricAB.com)

**Concentric Skanes AB**

Box 95  
SE-280 40 SK. FAGERHULT  
Sweden

Tel: +46-433 32400

Fax: +46-433 30546

E-mail: [info.hydraulics.eu@concentricAB.com](mailto:info.hydraulics.eu@concentricAB.com)

**Concentric Suzhou Co. Ltd.**

47 Dongjing Industrial Park  
9 Dong Fu Lu  
SIP, Suzhou

Jiangsu

China 215123

Tel +86 512 8717 5100

Fax +86 512 8717 5101

[info.chsh@concentricAB.com](mailto:info.chsh@concentricAB.com)



Concentric is an innovator in flow control and fluid power, supplying proprietary systems and components for trucks, buses and industrial vehicles, worldwide. With 1,156 employees and sales of 1,977 million Swedish Kronor, Concentric AB is listed on the Stockholm Stock Exchange ([www.concentricAB.com](http://www.concentricAB.com)).

Concentric will not accept responsibility for any catalog errors and reserves the right to modify its products without prior notice. This also applies to products already ordered, provided that such modifications can be made without affecting technical specifications. All trademarks in this material are properties of their respective owners.